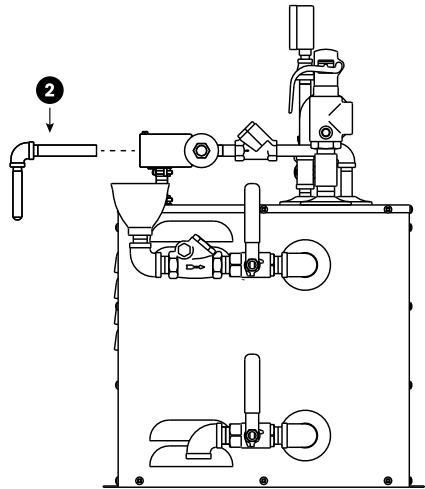
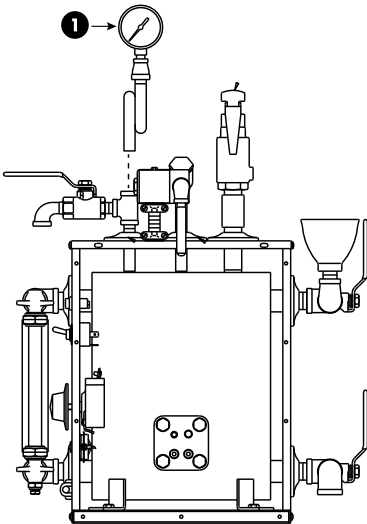


READ THIS FIRST

- Applies to Models JEL-1, JEL-2, JEL-3, JEL-4, JEL-6, ELG-4, ELG-4.2, ELG-5, ELG-5.2, ELG-6, ELG-7.
- Some assembly is required before the unit can be used.
- Follow the assembly instructions given on this page.
- Other important instructions are listed in the manual that is supplied with the unit. Read the manual for safety installation and operation instructions.

ASSEMBLY INSTRUCTIONS

1. Install pressure gauge and pipe on top of generator.
2. Install nozzle in valve at top of generator where applicable



CAUTION

ITEMS 1 & 2 ARE SUBJECTED TO HIGH PRESSURE STEAM. MAKE SURE BOTH ITEMS ARE TIGHTLY SCREWED INTO THE TOP OF THE GENERATOR.

IMPORTANT

INSPECT box/crate for shipping damage. Any damage in shipment must be noted on the freight bill before it is signed. Call the carrier immediately to report all damage and arrange to file a claim. The carrier is responsible to you for the safe arrival of your goods.

UNPACK with care by removing the top pillow, up and out. Remove the side pillows one by one. Slowly and carefully remove the unit. Unit may stick to bottom and may have to hold the box down while pulling up on the unit.

CHECK contents carefully inspecting unit for hidden damage and report it immediately by calling the carrier to file a hidden damage claim and hold the entire shipment for inspection or instructions from the carrier. ICC rule requires that claims be made within 5 days. Do not discard packing materials or cartons until advised by Hoffman or the carrier.

KEEP the original shipping container in case the need arises to return the unit.

RETURN SHIPMENT PROCEDURES

- Call Hoffman at 1-800-221-0146 to get a Return Material Authorization (RMA) number. You will need to provide the following information. Company name, address, and Phone/Fax #, Contact person, Model #, Serial #, Detailed reason for returning; If warranty claim provide proof of purchase.
- Repack the unit in the original container. If container has been discarded or in poor condition call Hoffman at 1-800-221-0146 Hoffman will sell a new box for \$100 plus shipping costs or you can take the item to a packaging claim store to package and ship the unit for you. Note that you are responsible for the safe arrival of the package to its destination. The unit should be insured for the value of the unit. Most carriers will only cover up to \$100 if the unit gets damaged during shipment. In most cases, the carrier refuses the claim due to under rated shipping container. Please use the appropriate shipping container. Make sure the item does not move while shaking the container from side to side and up and down.
- Return to address is Hoffman **XXX**. Apply the RMA number directly underneath the address. Shipping to any other Hoffman address will be refused at customer expense. Returns must be received within 30 days from time of receiving RMA number. There may be a 20% restocking fee for items that do not meet these conditions.

Hoffman, INC.
XXX Address
XXX CITY
1-800-221-0146

www.buyhoffmansteamnow.com