

HOFFMAN

BC SERIES – LAUNDRY PRESS

AUTOMATIC UTILITY PRESS

VERSATILE DESIGN & POWERFUL PRESSING

engineered for 80 PSI steam for the efficient removal of wrinkles a for a wide range of general laundry, garments, and linens.

VERSATILITY

Extra wide head opening provides easy access to and unrestricted view of the garment.

BUILT FOR A LONG LIFE

including heavy duty steel construction and engineered for easy adjustments.

EASY ACCESS PANELS

for servicing of key internal components.

BEFORE WE SHIP

we perform a double quality check to ensure that each press is perfect right out of the box.



AUTOMATIC PRESS

for low fatigue and high productivity.

MADE IN THE USA

With the highest quality craftsmanship by our expert technicians.

Customer service provided by the same expert technicians.



LARGE TABLE

for operator comfort, snag free finishing, and easy clean up.

EASY INSTALLATION

just connect to external steam and air and you are ready to go.

INNOVATIVE FEATURES

- Compact frame – minimal floor space
- Extremely quiet and smooth operation
- Simplified pneumatic control system for easy maintenance and reliability
- Ergonomic soft touch operating buttons and foot pedals for operator comfort
- Available in a wide variety of head and buck shapes

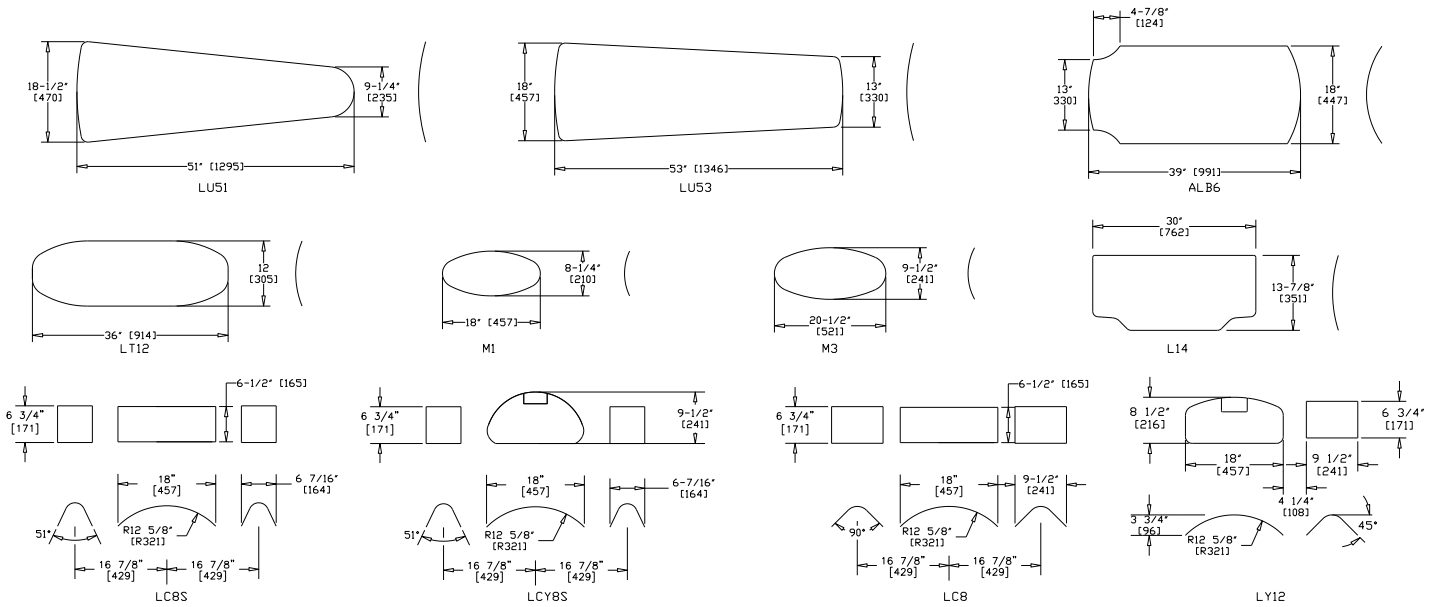
AVAILABLE OPTIONS

- Digital release timer
- Steam/electric iron and lowboy
- All-steam iron
- Water spray gun and condenser
- ASME certification
- CE certification
- Left hand head and buck mounting

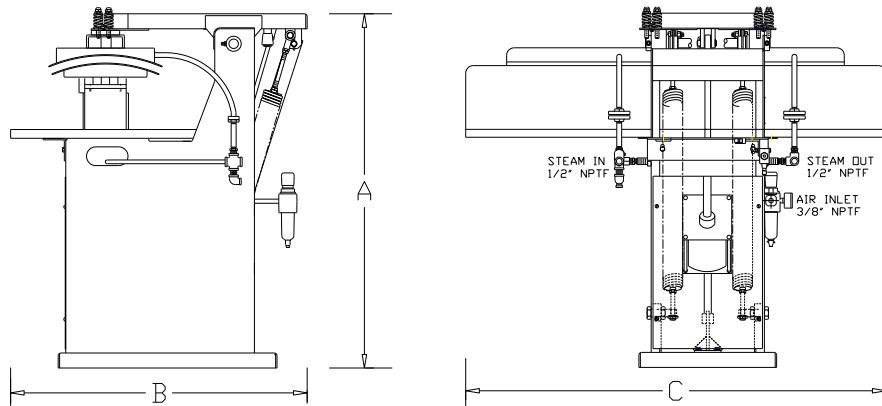
SPECIFICATIONS

MODEL	BCLU51	BCLU53	BCALB6	BCLT12	BCLM1	BCLM3	BCL14	BCLCY8	BCLCY8S	BCLC8	BCLY12
Steam Usage @ 80 PSIG	42 LB/HR (19 KG/HR)	42 LB/HR (19 KG/HR)	42 LB/HR (19 KG/HR)	42 LB/HR (19 KG/HR)	34 LB/HR (15.4 KG/HR)	34 LB/HR (18 KG/HR)	40 LB/HR (15.4 KG/HR)	34 LB/HR (15.4 KG/HR)	34 LB/HR (15.4 KG/HR)	34 LB/HR (15.4 KG/HR)	34 LB/HR (15.4 KG/HR)
Max. Steam Pressure	125 PSI (862 K Pa)	125 PSI (862 K Pa)	125 PSI (862 K Pa)	125 PSI (862 K Pa)	125 PSI (862 K Pa)	125 PSI (862 K Pa)	125 PSI (862 K Pa)	125 PSI (862 K Pa)	125 PSI (862 K Pa)	125 PSI (862 K Pa)	125 PSI (862 K Pa)
Air Consumption per Cycle @ 80 psi	0.69ft ³ (0.02 M ³)	0.69ft ³ (0.02 M ³)	0.69ft ³ (0.02 M ³)	0.69ft ³ (0.02 M ³)	0.69ft ³ (0.02 M ³)	0.69ft ³ (0.02 M ³)	0.69ft ³ (0.02 M ³)	0.69ft ³ (0.02 M ³)	0.69ft ³ (0.02 M ³)	0.69ft ³ (0.02 M ³)	0.69ft ³ (0.02 M ³)
Max. Air Pressure	80 psi (552 K Pa)	80 psi (552 K Pa)	80 psi (552 K Pa)	80 psi (552 K Pa)	80 psi (552 K Pa)	80 psi (552 K Pa)	80 psi (552 K Pa)	80 psi (552 K Pa)	80 psi (552 K Pa)	80 psi (552 K Pa)	80 psi (552 K Pa)
Table Length Dimension "C"	51 IN (1295 MM)	56 IN (1422 MM)	48 IN (1219 MM)	36 IN (914 MM)	36 IN (914 MM)	36 IN (914 MM)	36 IN (914 MM)	48 IN (1219 MM)	48 IN (1219 MM)	48 IN (1219 MM)	36 IN (914 MM)
Net Machine Weight	650 LB (295 KG)	670 LB (304 KG)	500 LB (227 KG)	460 LB (208 KG)	460 LB (208 KG)	465 LB (211 KG)	460 LB (208 KG)	640 LB (290 KG)	640 LB (290 KG)	640 LB (290 KG)	460 LB (208 KG)
Shipping Weight	690 LB (313 KG)	710 LB (323 KG)	545 LB (247 KG)	505 LB (229 KG)	505 LB (229 KG)	510 LB (231 KG)	505 LB (229 KG)	685 LB (311 KG)	685 LB (311 KG)	685 LB (311 KG)	505 LB (229 KG)

BUCK DIMENSIONS (Before Padding)



- A 48" [1220]
- B 39" [991]
- C Dimension "C"
(see table)



HOFFMAN

A UNITYLAB CORP. BRAND

Equipment is subject to manufacture(s) standard warranty. Accuracy of illustration and description of equipment shown herein applies to product as manufactured at time of publication. ©™ 2023 UnityLab Corp. All rights reserved.